

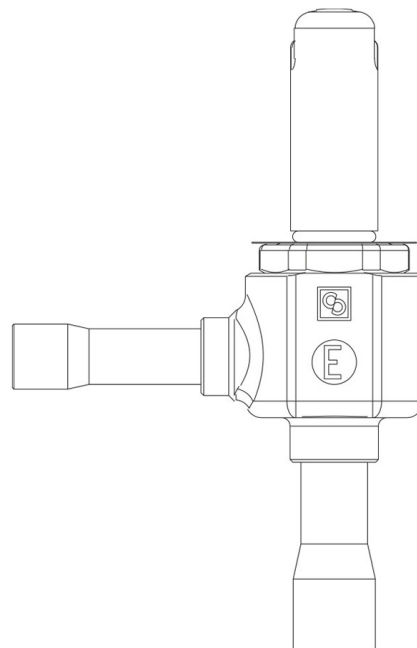
Product Code

2028E/3S00

PWM Expansion Valve CO2

3/8"x1/2"ODS Orificio 00

PS = 90 bar



Product use

Accessories for use with refrigerant R744.

These valves are only sold in the model without the coil (S suffix), with 9 nozzles assembled for an increasing output from 2 to 43 kW.

Product details

| | |
|------------------------|--------|
| Type d'orifice | 00 |
| Raccords In Ø [in.] | 3/8" |
| Raccords In Ø [mm] | - |
| Out Ø [in.] | 1/2" |
| Out Ø [mm] | - |
| Kv [m ³ /h] | 0,0027 |
| PS [bar] | 90 |
| MWP [psi] (1) | 1305 |
| TS [°C] min. min. | -50 |
| TS [°C] max. max. | +100 |
| Emballage | 17 |

Notes

(1): conformément à homologation UL