

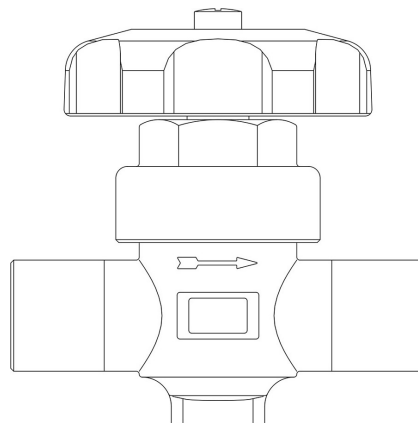
## Product Code

# 6220/2

Diaphragm Valve

1/4" ODS

PS = 28 bar



CLASSIC

### Product use

Accessories for use with the following ASHRAE 34:2019 refrigerants, Class A1:

HCFC (R22)

HFC (R134a, R404A, R407C, R410A, R507)

HFO (R1234ze)

HFO + HFC (R448A, R449A, R450A, R452A, R513A, R515A, R515B)

### Product details

Raccords SAE Flare	-
Raccords ODS Ø [in.]	1/4"
ODS Ø [mm]	-
Kv [m <sup>3</sup> /h]	0,28
PS[bar]	28
TS[°C] min.	-35
TS[°C] max.	+90
Emballage	45