

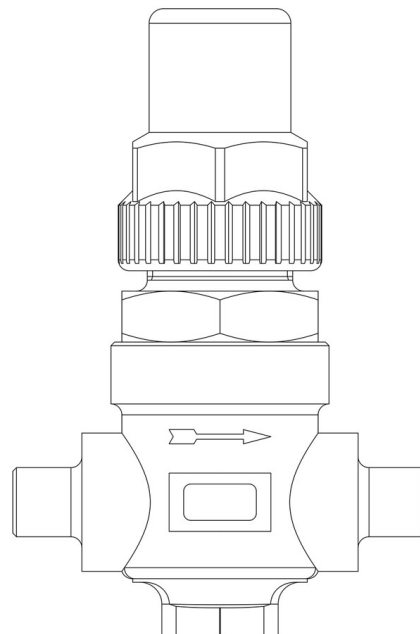
Product Code

6420/4

Capped Valve

1/2" ODS

PS = 45 bar



CLASSIC

Product use

Accessories for use with the following ASHRAE 34:2019 refrigerants, Class A1:

HCFC (R22)

HFC (R134a, R404A, R407C, R410A, R507)

HFO (R1234ze)

HFO + HFC (R448A, R449A, R450A, R452A, R513A, R515A, R515B)

Product details

Raccords SAE Flare -

Raccords ODS Ø [in.] 1/2"

ODS Ø [mm] -

Kv [m³/h] 1,45

PS[bar] 45

TS[°C] min. -40

TS[°C] max. +110

Emballage 45