

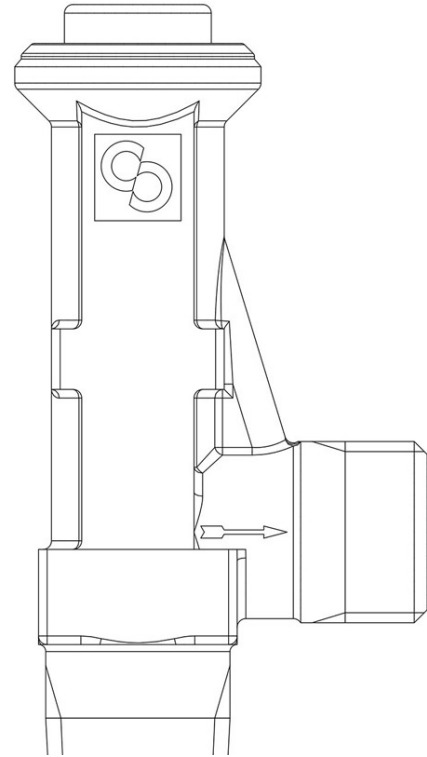
Product Code

3061/4TS

Safety valve

1/2"NPT x G1/2"Pset=

PS = 70 bar



Product use

Safety valve series 3061 and 3065, unbalanced conventional direct load. The valve opens when the thrust exerted on the plunger by the refrigerant under pressure, under calibrated conditions, overcomes the opposing force of the spring acting on the plunger.

Safety accessories (with calibration range from 11 to 60 bar) for use with the following ASHRAE 34:2019 refrigerants, Class A1, A2L, or A3:

HFC (R134A, R32, R404A, R407C, R410A, R507)

HFO (R1234YF, R1234ZE)

HFO + HFC (R448A, R449A, R450A, R452A, R452B, R454A, R454B, R454C, R455A, R513A, R515A, R515B)

HC (R290, R600, R600A, R1270)

Product details

Raccords IN 1/2" NPT

Raccords OUT 1/2" G

Section orifice [mm²] 44,2

Coefficient d' écoulement Kd 0,783-G

Champ de tarage [bar] 11 - 60

PS[bar] 70

TS[°C] min. -50

TS[°C] max. +120

Emballage 18

Notes

Numéro de licence CASTEL pour la fabrication de soupapes de sécurité: TSF700F77-2022