

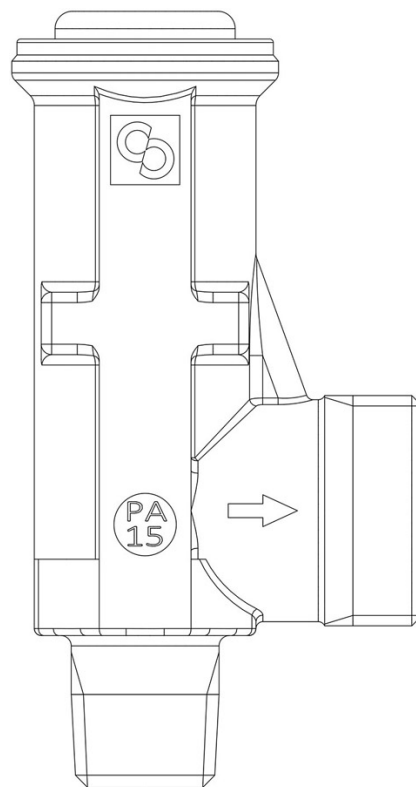
Product Code

3065/4C

Safety Valve

1/2"NPTx1"G Pset=60,0bar

PS = 70 bar



Product use

Safety valve series 3030, 3060, 3061 and 3065, unbalanced conventional direct load. The valve opens when the thrust exerted on the plunger by the refrigerant under pressure, under calibrated conditions, overcomes the opposing force of the spring acting on the plunger.

Safety accessories (with calibration range from 9 to 50 bar for series 3030 and 3060 and calibration range from 11 to 60 bar for series 3061 and 3065) for use with the following ASHRAE 34:2019 refrigerants, Class A1:

HCFC (R22)

HFC (R134a, R404A, R407C, R410A, R507)

HFO (R1234ze)

HFO + HFC (R448A, R449A, R450A, R452A, R513A, R515A, R515B)

Product details

Raccords IN 1/2" NPT

Raccords OUT 1" G

Section orifice [mm²] 132,7

Coefficient d'écoulement Kd 0,87

Champ de tarage [bar] 11 - 60

Castel non si assume alcuna responsabilità per eventuali errori nei cataloghi, opuscoli e altro materiale stampato o indicato nel sito Castel.it. Castel si riserva il diritto di modificare i propri prodotti senza preavviso. Tutti i marchi in questo materiale sono di proprietà di Castel. Tutti i diritti riservati.

Castel assumes no responsibility for any errors in catalogs, brochures and other material printed or indicated on the Castel.it website. Castel reserves the right to modify its products without notice. All trademarks in this material are the property of Castel. All rights reserved.

PS[bar]	70
TS[°C] min	-50
TS[°C] max	+150
Emballage	24

Notes

(1) Produit sur demande.