

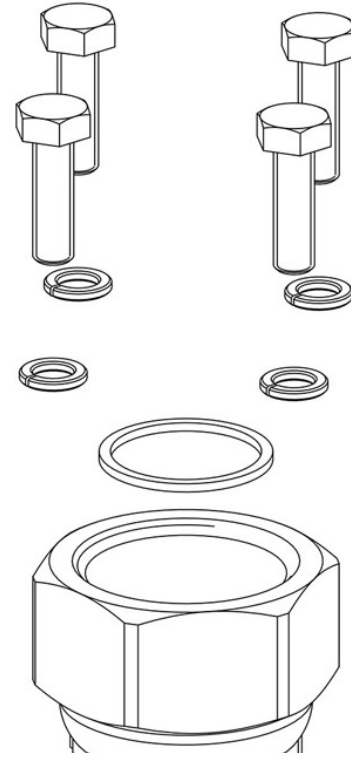
Product Code

**5690/X17**

Oil Level Regulator Adapter

1.1/4"-12UNF

PS = 45 bar



### Product use

The oil level regulators ensure monitoring and control of the oil level in the crankcases of both alternative reciprocating and scroll compressors. Specifically, these regulators are employed to resolve the problem of incorrect oil distribution in multiple compressor plants.

Accessories for use with the following ASHRAE 34:2019 refrigerants, Class A1, A2L, or A3:

HCFC (R22)

HFC (R134A, R32, R404A, R407C, R410A, R507)

HFO (R1234YF, R1234ZE)

HFO + HFC (R448A, R449A, R450A, R452A, R452B, R454A, R454B, R454C, R455A, R513A, R515A, R515B)

HC (R290, R600, R600A, R1270)

### Product details

Raccords carter du compresseur Rotalock 1.1/4" - 12 UNF

Emballage

5

### Notes

(1) y compris les vis pour fixer l'adaptateur au régulateur de niveau d'huile