

Product Code

**5690/X17**

Oil Level Regulator Adapter

1.1/4"-12UNF

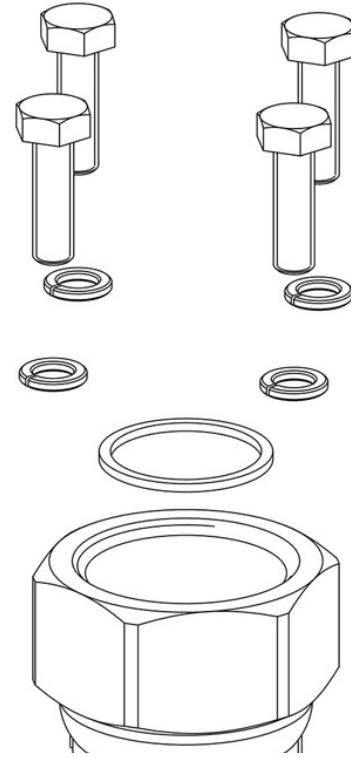
PS = 45 bar

### Product use

The oil regulators ensure monitoring and control of the oil level in the crankcases of both alternative reciprocating and scroll compressors.

Specifically, these regulators are employed to resolve the problem of incorrect oil distribution in multiple compressor plants.

- Refrigerant CO<sub>2</sub> (R744)



### Product details

Raccords carter du compresseur Rotalock 1.1/4" - 12 UNF

Emballage

5

### Notes

(1) y compris les vis pour fixer l'adaptateur au régulateur de niveau d'huile