

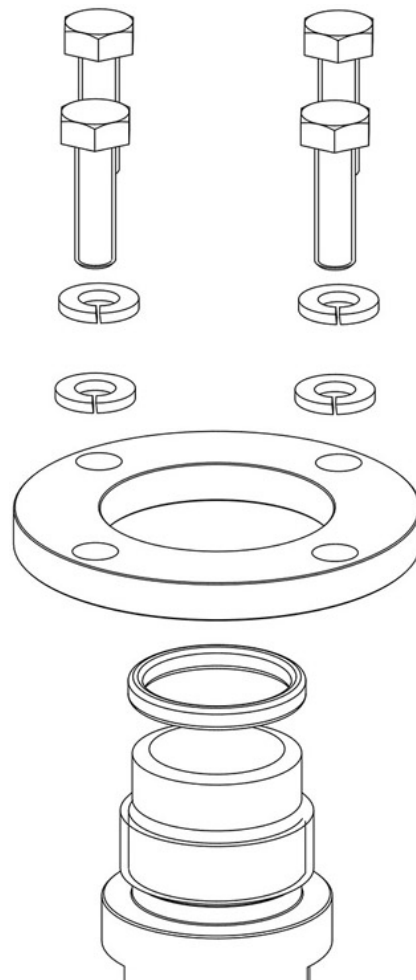
Product Code

5690/X12

Oil Level Regulator Adapter

1.1/8"-12UNF

PS = 140 bar



Product use

The oil regulators ensure monitoring and control of the oil level in the crankcases of both alternative reciprocating and scroll compressors.

Specifically, these regulators are employed to resolve the problem of incorrect oil distribution in multiple compressor plants.

- Refrigerant CO2 (R744)

Product details

Raccords carter du compresseur Fileté 1.1/8" - 12 UNF

Emballage

5

Notes

(1) y compris les vis pour fixer l'adaptateur au régulateur de niveau d'huile