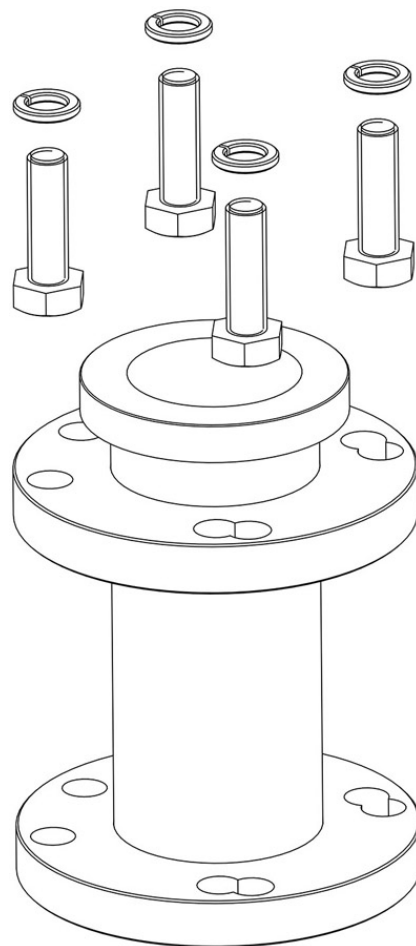


Product Code

**5690/X11**

Oil Level Regulator Adapter  
Flanged 3 holes D. 1.7/8"-4 holes D. 50  
PS = 140 bar



### Product use

The oil regulators ensure monitoring and control of the oil level in the crankcases of both alternative reciprocating and scroll compressors. Specifically, these regulators are employed to resolve the problem of incorrect oil distribution in multiple compressor plants.

- Refrigerant CO2 (R744)

### Product details

**Raccords carter du compresseur** Joint torique avec 3 trous sur  $\varnothing 1.7/8$  et 4 trous sur  $\varnothing 50$  mm L = 83 mm

**Emballage**

5

### Notes

(1) y compris les vis pour fixer l'adaptateur au régulateur de niveau d'huile