

POS.1

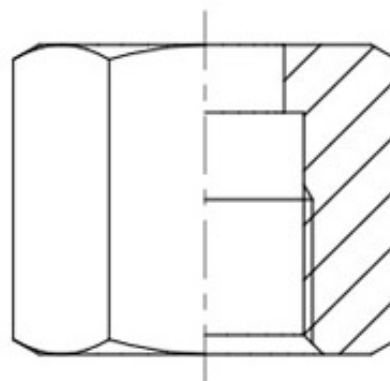
Product Code

**9901/X12**

10 Adapters Package

3/8" Flare/10mm ODS

PS = 140 bar



### Product use

Accessories for use with the following ASHRAE 34:2019 refrigerants, Class A1, A2L, or A3:

- HCFC (R22)
- HFC (R134a, R32, R404A, R407C, R410A, R507)
- HFO and HFO/HFC blends (R1234ze, R1234yf, R448A, R449A, R450A, R452A, R513A, R515A, R515B)
- HC (R290, R600, R600a, R1270)
- R744



### Product details

Position component 1 + 2 + 3

Racords SAE Flare 3/8"

Racords ODS Ø [in.] -

ODS Ø [mm] 10

PS[bar] 140

Emballage 15

POS.3

