

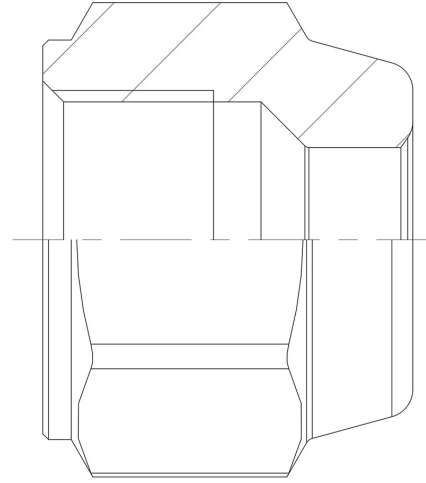
## Product Code

# 7010/55

Nut

5/8"FlarexPipe5/8"

PS = 50 bar



## Product use

Accessories for use with the following ASHRAE 34:2019 refrigerants, Class A1, A2L, or A3:

- HCFC (R22)
- HFC (R134a, R32, R404A, R407C, R410A, R507)
- HFO and HFO/HFC blends (R1234ze, R1234yf, R448A, R449A, R450A, R452A, R513A, R515A, R515B)
- HC (R290, R600, R600a, R1270)
- R744

## Product details

**Code international** NS4-10

**SAE Flare** 5/8"

**Tuyau en cuivre Ø [in.]** 5/8"

**Tuyau en cuivre Ø [mm]** 16

**PS [bar]** 50

**Emballage** 25

## Notes