

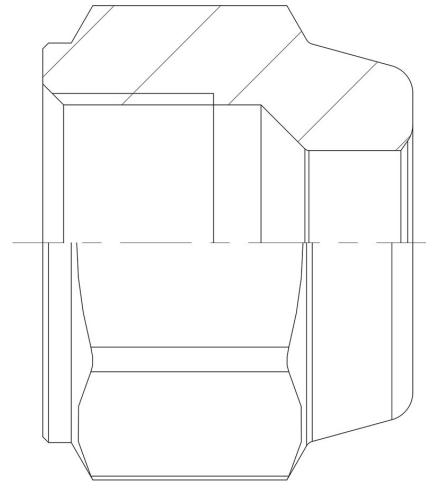
Product Code

7010/33

Nut

3/8" Flare Pipe 3/8"

PS = 50 bar



Product use

Accessories for use with the following ASHRAE 34:2019 refrigerants, Class A1, A2L, or A3:

- HCFC (R22)
- HFC (R134a, R32, R404A, R407C, R410A, R507)
- HFO and HFO/HFC blends (R1234ze, R1234yf, R448A, R449A, R450A, R452A, R513A, R515A, R515B)
- HC (R290, R600, R600a, R1270)
- R744

Product details

Code international NS4-6

SAE Flare 3/8"

Tuyau en cuivre Ø [in.] 3/8"

Tuyau en cuivre Ø [mm] -

PS [bar] 50

Emballage 50

Notes