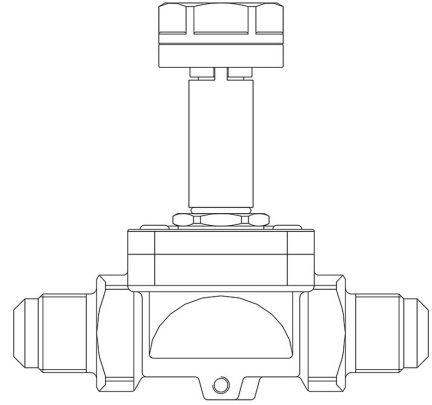


Product Code

1170/5S

Solenoid Valve
5/8" Flare w/o Coil
PS = 45 bar



CLASSIC

Product use

Accessories for use with the following ASHRAE 34:2019 refrigerants, Class A1:

- HCFC (R22)
- HFC (R134a, R404A, R407C, R410A, or R507)
- HFO and HFO/HFC blends (R1234ze, R448A, R449A, R450A, R452A, R513A)

Maximum allowable pressure PS = 45 bar.

Allowable temperatures TS = -35 / +105 °C (+110 °C for direct opening).

These valves are exclusively sold in the model without coil (S suffix).

Product details

Principe de fonctionnement Servocommande à membrane

Type bobine (1) HM3

Raccords SAE Flare 5/8"

Kv [m³/h] 2,61

PS [bar] 45

TS [°C] min. -35

TS [°C] max. +105

Emballage 24

Notes

Castel non si assume alcuna responsabilità per eventuali errori nei cataloghi, opuscoli e altro materiale stampato o indicato nel sito Castel.it. Castel si riserva il diritto di modificare i propri prodotti senza preavviso. Tutti i marchi in questo materiale sono di proprietà di Castel. Tutti i diritti riservati.

Castel assumes no responsibility for any errors in catalogs, brochures and other material printed or indicated on the Castel.it website. Castel reserves the right to modify its products without notice. All trademarks in this material are the property of Castel. All rights reserved.

Les vannes N.O. ont été conçus pour le fonctionnement avec des bobines en courant continu uniquement. Pour les applications avec alimentation en courant alternatif, il faut accoupler la vanne N.O. avec la bobine 9120/RD6 et le connecteur 9150/R45.

(1) : bobines pouvant être montées sur des vannes