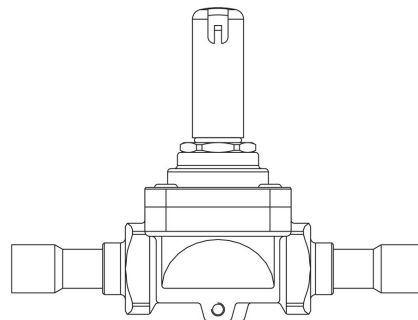


Product Code

**1048EL/5S**

Solenoid Valve CO2  
5/8"-16mm ODS w/o Coil  
PS = 60 bar



**G O G R E E N**

R744 • NATURAL REFRIGERANT

## Product use

Accessories for use with refrigerant R744.

These valves are exclusively sold in the model without coil (S suffix).

## Product details

**Principe de fonctionnement** Servocommande à piston

**Type bobine (1)** HF3 (HM3)

**Raccords ODS Ø [in.]** 5/8"

**Raccords ODS Ø [mm]** 16

**Kv [m<sup>3</sup>/h]** 3

**PS [bar]** 60

**TS [°C] min.** -40

**TS [°C] max.** +130

**Emballage** 14

## Notes

(1) : bobines qui peuvent être montés sur les vannes