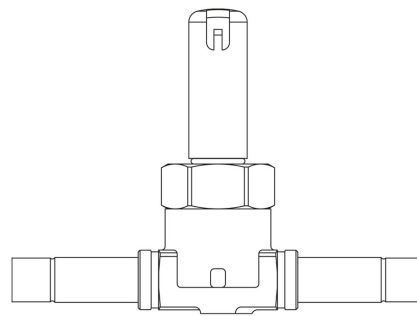


Product Code

1038EL/M12S

Solenoid Valve CO2
12mm ODS w/o Coil
PS = 60 bar



G O G R E E N

R744 • NATURAL REFRIGERANT

Product use

Accessories for use with refrigerant R744.

These valves are exclusively sold in the model without coil (S suffix).

Product details

Principe de fonctionnement Servocommande à piston

Type bobine (1) HF3 (HM3)

Raccords ODS Ø [in.] -

Raccords ODS Ø [mm] 12

Kv [m³/h] 1

PS [bar] 60

TS [°C] min. -40

TS [°C] max. +130

Emballage 24

Notes

(1) : bobines qui peuvent être montés sur les vannes