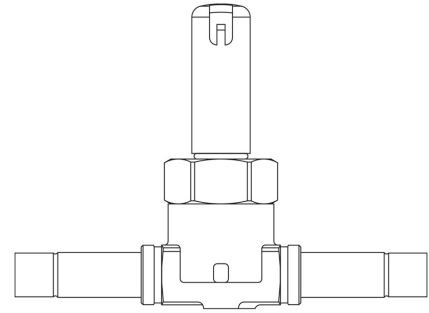


Product Code

1038EL/M10S

Solenoid Valve CO2
10mm ODS w/o Coil
PS = 60 bar



Product use

Accessories for use with refrigerant R744.
These valves are exclusively sold in the model without coil (S suffix).

Product details

Principe de fonctionnement	Servocommande à piston
Type bobine (1)	HF3 (HM3)
Raccords ODS Ø [in.]	-
Raccords ODS Ø [mm]	10
Kv [m ³ /h]	1
PS [bar]	60
TS [°C] min.	-40
TS [°C] max.	+130
Emballage	24

Notes

(1) : bobines qui peuvent être montés sur les vannes