

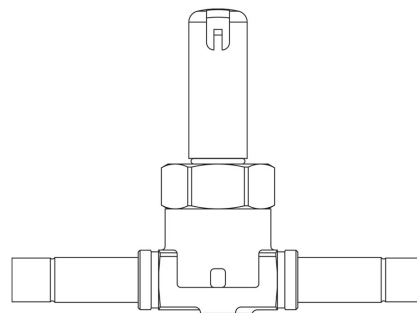
Product Code

**1038EL/3S**

Solenoid Valve CO2

3/8"ODS w/o Coil

PS = 60 bar



## Product use

Accessories for use with refrigerant R744.

These valves are exclusively sold in the model without coil (S suffix).

## Product details

**Principe de fonctionnement** Servocommande à piston

**Type bobine (1)** HF3 (HM3)

**Raccords ODS Ø [in.]** 3/8"

**Raccords ODS Ø [mm]** -

**Kv [m<sup>3</sup>/h]** 1

**PS [bar]** 60

**TS [°C] min.** -40

**TS [°C] max.** +130

**Emballage** 24

## Notes

(1) : bobines qui peuvent être montés sur les vannes