

## Product Code

# 3133W/M10

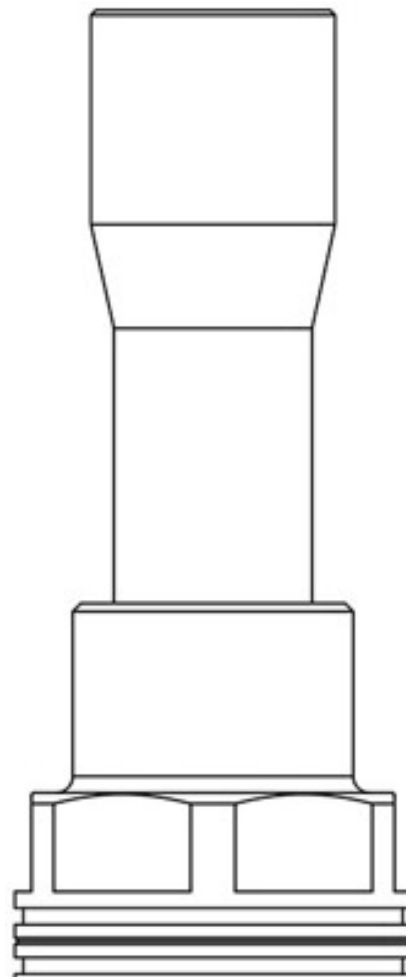
Check Valve

10mm ODS

PS = 50 bar - 600 PSI

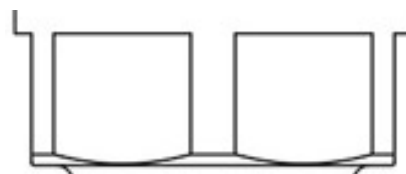
POLYHEDRA

CLASSIC



### Product use

Accessories for use with the following ASHRAE 34:2019 refrigerants, Class A1, A2L, or A3:  
 HFC (R134A, R32, R404A, R407C, R410A, R507)  
 HFO (R1234YF, R1234ZE)  
 HFO + HFC (R448A, R449A, R450A, R452A, R452B, R454A, R454B, R454C, R455A, R513A, R515A, R515B)  
 HC (R290, R600, R600A, R1270)



### Product details

Raccords SAE Flare	-
Raccords ODS Ø [in.]	-
ODS Ø [mm]	10
Kv [m <sup>3</sup> /h]	1,5
Pression différentielle (2) [bar]	0,3
PS [bar]	50
MWP [psi] (1)	600
TS [°C] min.	-40
TS [°C] max.	+150

## Notes

(1): conformément à homologation UL

(2): pression minimum à laquelle le clapet est complètement ouvert