

## Product Code

# 3133W/4

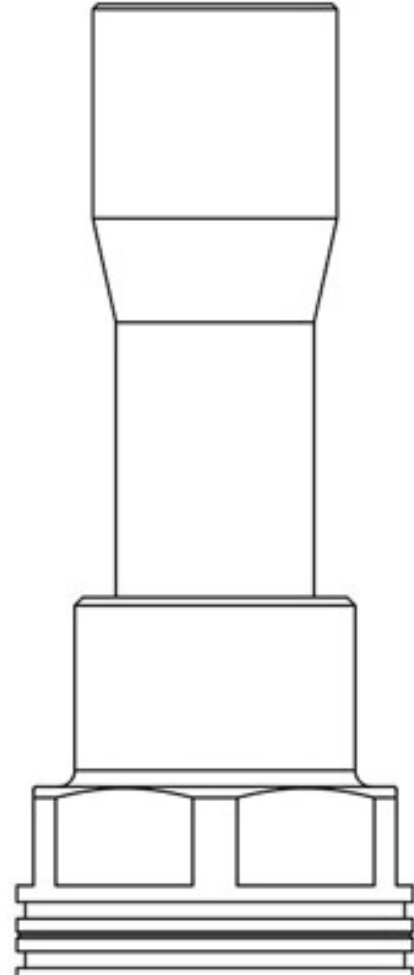
Check Valve

1/2" ODS

PS = 50 bar - 600 PSI

POLYHEDRA

CLASSIC



### Product use

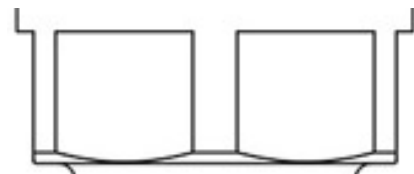
Accessories for use with the following ASHRAE 34:2019 refrigerants, Class A1, A2L, or A3:

HFC (R134A, R32, R404A, R407C, R410A, R507)

HFO (R1234YF, R1234ZE)

HFO + HFC (R448A, R449A, R450A, R452A, R452B, R454A, R454B, R454C, R455A, R513A, R515A, R515B)

HC (R290, R600, R600A, R1270)



### Product details

Raccordi SAE Flare -

Raccordi ODS Ø [in.] 1/2"

ODS Ø [mm] -

Kv [m<sup>3</sup>/h] 1,8

Pression différentielle (2) [bar] 0,3

PS [bar] 50

MWP [psi] (1) 600

TS [°C] min. -40

TS [°C] max. +150

## Notes

(1): conformément à homologation UL

(2): pression minimum à laquelle le clapet est complètement ouvert