

## Product Code

# 3132W/7

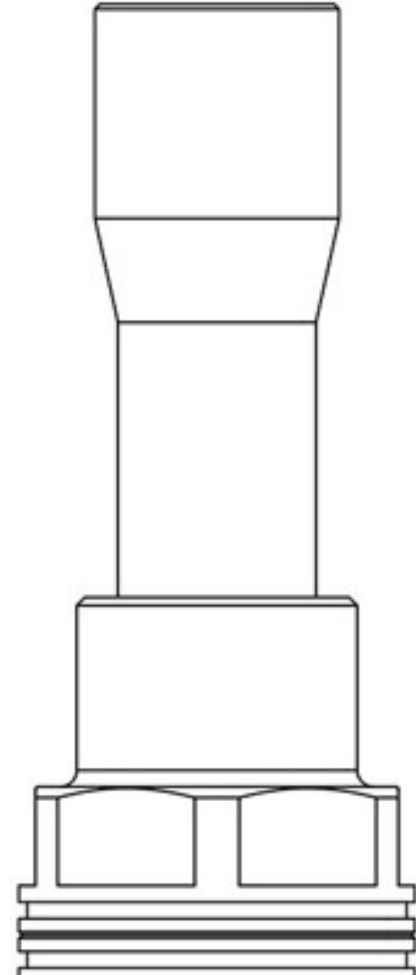
Check Valve

7/8"-22mm ODS

PS = 50 bar - 600 PSI

POLYHEDRA

CLASSIC



### Product use

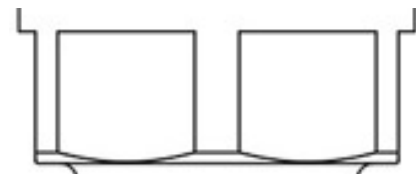
Accessories for use with the following ASHRAE 34:2019 refrigerants, Class A1, A2L, or A3:

HFC (R134A, R32, R404A, R407C, R410A, R507)

HFO (R1234YF, R1234ZE)

HFO + HFC (R448A, R449A, R450A, R452A, R452B, R454A, R454B, R454C, R455A, R513A, R515A, R515B)

HC (R290, R600, R600A, R1270)



### Product details

Raccords SAE Flare	-
Raccords ODS Ø [in.]	7/8"
ODS Ø [mm]	22
Kv [m <sup>3</sup> /h]	5
Pression différentielle (2) [bar]	0,04
PS [bar]	50
MWP [psi] (1)	600
TS [°C] min.	-40
TS [°C] max.	+150

## Notes

(1): conformément à homologation UL

(2): pression minimum à laquelle le clapet est complètement ouvert