

Product Code

3132W/6

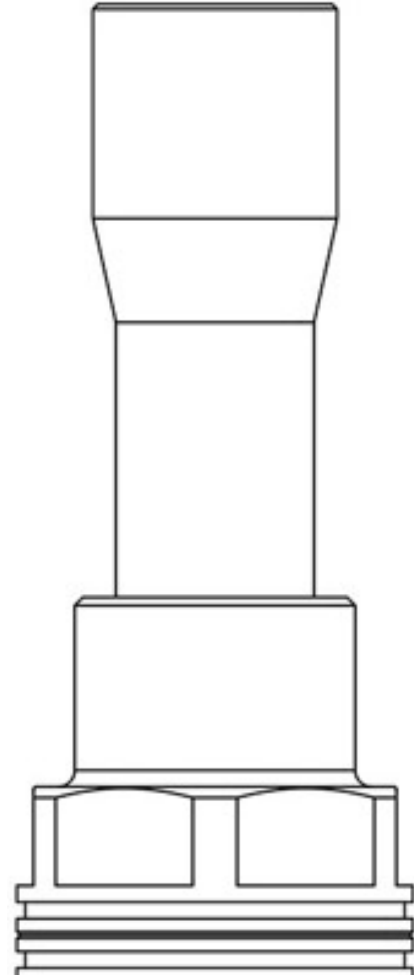
Check Valve

3/4" ODS

PS = 50 bar - 600 PSI

P  LYHEDRA

CL  ASSIC



Product use

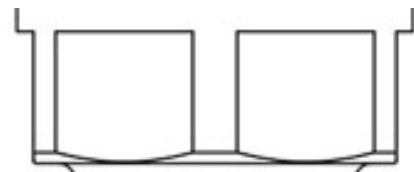
Accessories for use with the following ASHRAE 34:2019 refrigerants, Class A1, A2L, or A3:

HFC (R134A, R32, R404A, R407C, R410A, R507)

HFO (R1234YF, R1234ZE)

HFO + HFC (R448A, R449A, R450A, R452A, R452B, R454A, R454B, R454C, R455A, R513A, R515A, R515B)

HC (R290, R600, R600A, R1270)



Product details

Raccords SAE Flare	-
Raccords ODS Ø [in.]	3/4"
ODS Ø [mm]	-
Kv [m ³ /h]	5
Pression différentielle (2) [bar]	0,04
PS [bar]	50
MWP [psi] (1)	600
TS [°C] min.	-40
TS [°C] max.	+150

Notes

(1): conformément à homologation UL

(2): pression minimum à laquelle le clapet est complètement ouvert