

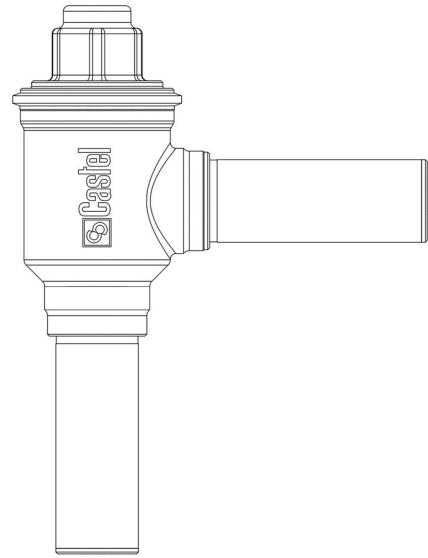
Product Code

3188EW/M22

22mm W

22mm W

PS = 140 bar - 2030 PSI



Product use

Accessories for use with refrigerant R744.

Product details

Raccords ODS Ø [in.] -

Raccords ODS Ø [mm] -

W Ø [mm] 22

Kv [m³/h] 9

Pression différentielle (2) [bar] 0,3

PS [bar] 140

MWP [psi] (1) 2030

TS [°C] min. -40

TS [°C] max. +150

Emballage 14

Notes

(1): conformément à homologation UL

(2): pression minimum à laquelle le clapet est complètement ouvert