

Product Code

3132W/M12

Check Valve

12mm ODS

PS = 50 bar - 600 PSI

P  **LYHEDRA**

CL  **ASSIC**

Product use

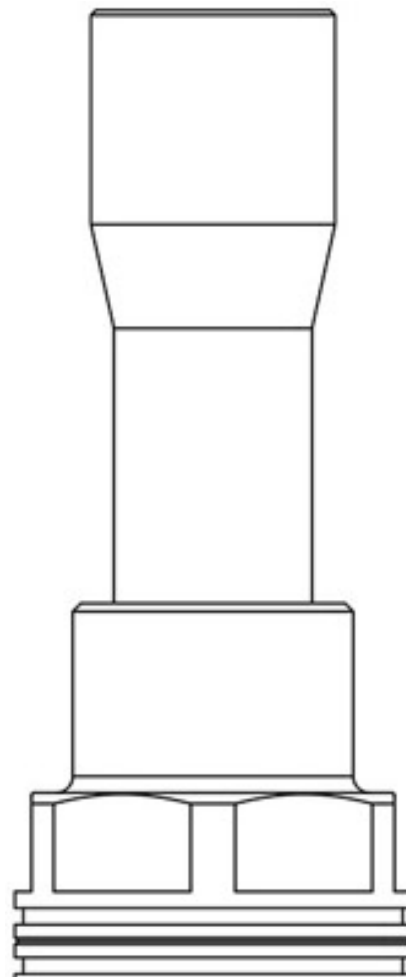
Accessories for use with the following ASHRAE 34:2019 refrigerants, Class A1:

HCFC (R22)

HFC (R134a, R404A, R407C, R410A, R507)

HFO (R1234ze)

HFO + HFC (R448A, R449A, R450A, R452A, R513A, R515A, R515B)



Product details

Raccords SAE Flare -

Raccords ODS Ø [in.] -

ODS Ø [mm] 12

Kv [m³/h] 1,8

Pression différentielle (2) [bar] 0,04

PS [bar] 50

MWP [psi] (1) 600

TS [°C] Min -40

TS [°C] Max +150

Emballage 16



Notes

(1): conformément à homologation UL

(2): pression minimum à laquelle le clapet est complètement ouvert