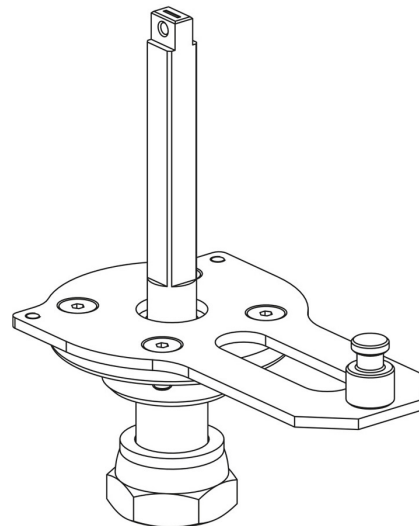


Product Code

9901/X73

Actuator Adapter

-



G O G R E E N

R744 • NATURAL REFRIGERANT

Product use

Flanged adapters are made by Castel to couple the actuators to the 2-ways ball valves or manual 3-ways ball valves later allowing the conversion from a manual to a motorized valve.

Product details

Emballage 1

Notes

voir les raccords indiqués dans le tableau SCHÉMA D'ACCOUPLLEMENT