

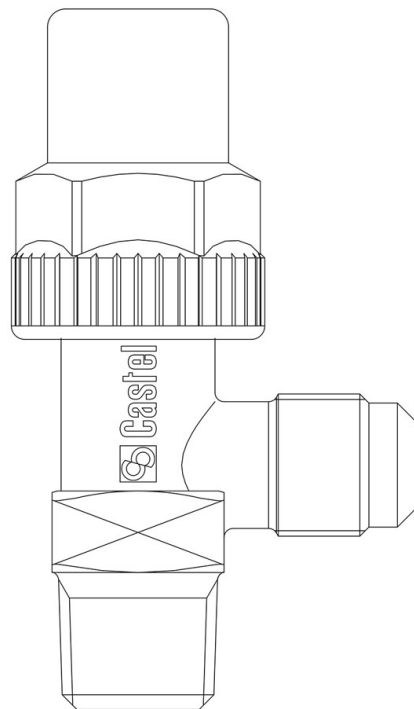
Product Code

6110E/X13

Receiver Valve CO2

3/8"Flare femminax3/8"Flare

PS = 140 bar



Product use

Accessories for use with refrigerant R744.

Product details

Connections SAE Flare 3/8" F

Connections SAE Flare 3/8"

NPT -

NPT -

Kv [m³/h] 1,35

PS [bar] 140

MWP [psi] (3) 2030

TS [°C] min. -40

TS [°C] max. +130

Package pcs 90

Notes

(1): including a conical gasket 7580/2

(2): can be installed without gasket

(3): UL approval ongoing