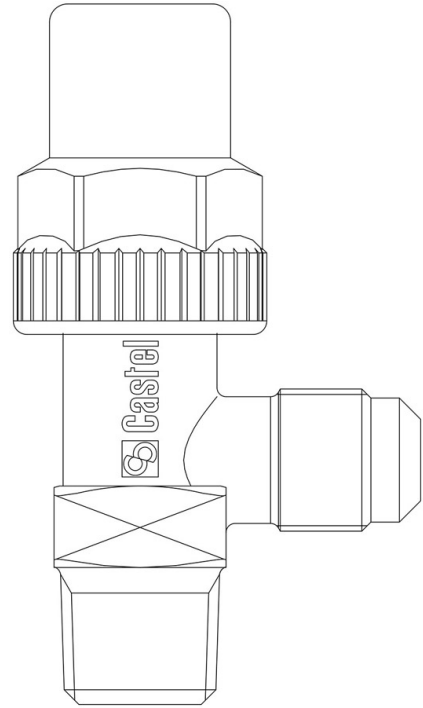


Product Code

6110E/X11

Receiver Valve CO2
1/4"NPTx1/4"NPT femmina
PS = 140 bar



Product use

Accessories for use with refrigerant R744.

Product details

Connections SAE Flare -

Connections SAE Flare -

NPT 1/4"

NPT 1/4" F

Kv [m³/h] 0,44

PS [bar] 140

MWP [psi] (3) 2030

TS [°C] min. -40

TS [°C] max. +130

Package pcs 48

Notes

(1): including a conical gasket 7580/2

(2): can be installed without gasket

(3): UL approval ongoing