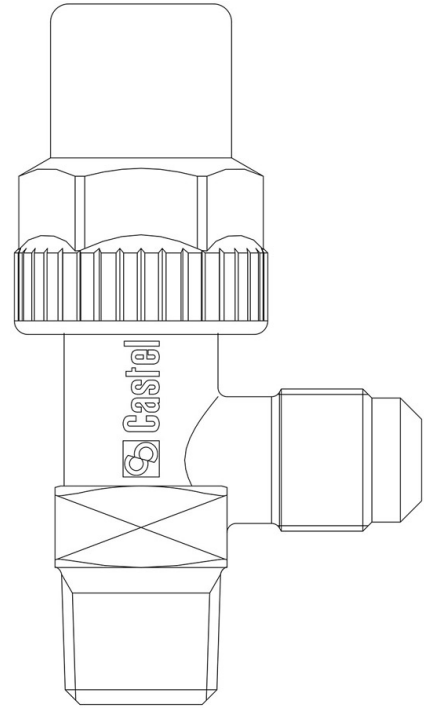


Product Code

6110/X11

Receiver Valve
1/4"NPTx1/4"NPT female
PS = 45 bar

CLASSIC



Product use

Accessories for use with the following ASHRAE 34:2019 refrigerants, Class A1:

HCFC (R22)

HFC (R134a, R404A, R407C, R410A, R507)

HFO (R1234ze)

HFO + HFC (R448A, R449A, R450A, R452A, R513A, R515A, R515B)

Product details

Access fitting SAE Flare	-
Connections SAE Flare	-
Connections NPT	1/4" M/F
Kv [m ³ /h]	0,44
PS [bar]	45
TS [°C] min.	-40
TS [°C] max.	+130
Package pcs	48