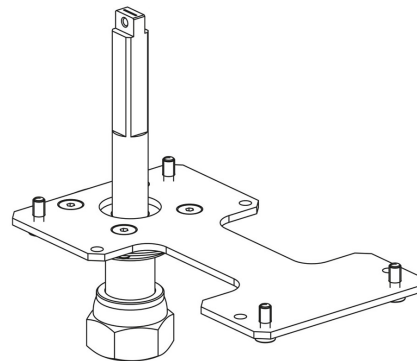


Product Code

**9901/X75**

Actuator Adapter

-



**G GREEN**

STAINLESS STEEL

**P LYHEDRA**

**CL ASSIC**

## Product use

Flanged adapters are made by Castel to couple the actuators to the 2-ways ball valves or manual 3-ways ball valves later allowing the conversion from a manual to a motorized valve.

## Product details

**Package Pcs.** 1

## Notes

see the couplings indicated in the COUPLING SCHEME table