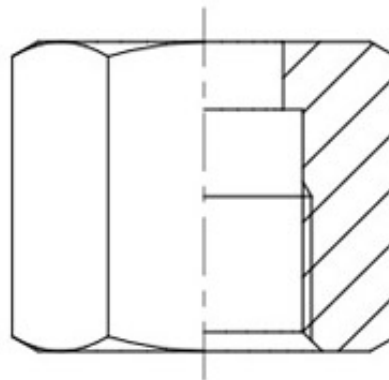


Product Code

9901/X88

15 Adapters Package



Product use

Accessories for use with the following ASHRAE 34:2019 refrigerants, Class A1, A2L, or A3:

- HCFC (R22)
- HFC (R134a, R32, R404A, R407C, R410A, R507)
- HFO and HFO/HFC blends (R1234ze, R1234yf, R448A, R449A, R450A, R452A, R513A, R515A, R515B)
- HC (R290, R600, R600a, R1270)
- R744

Product details



Item position 1 + 2

Connections SAE Flare 1/4"

Connections ODS Ø [in.] 3/8"

ODS Ø [mm] -

PS[bar] 140

Package pcs 8

Notes

