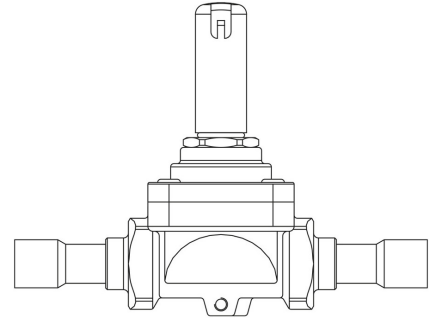


Product Code

**1048EL/M12S**

Solenoid Valve CO2  
12mm ODS w/o Coil  
PS = 60 bar



### Product use

Accessories for use with refrigerant R744.  
These valves are exclusively sold in the model without coil (S suffix).

### Product details

Operating principle	Piston pilot operated
Coil Type (1)	HF3 (HM3)
Connections ODS Ø [in.]	-
Connections ODS Ø [mm]	12
Kv [m <sup>3</sup> /h]	2,4
PS [bar]	60
TS [°C] min.	-40
TS [°C] max.	+130
Package Pcs.	14

### Notes

(1) : coils that can be fit on the valves