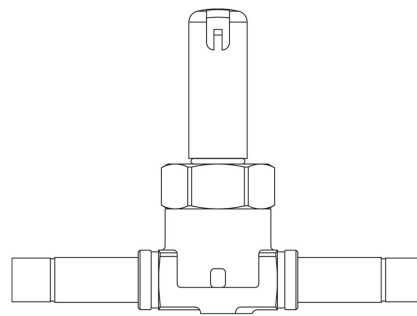


Product Code

**1038EL/M10S**

Solenoid Valve CO2  
10mm ODS w/o Coil  
PS = 60 bar



## Product use

Accessories for use with refrigerant R744.  
These valves are exclusively sold in the model without coil (S suffix).

## Product details

|                                |                       |
|--------------------------------|-----------------------|
| <b>Operating principle</b>     | Piston pilot operated |
| <b>Coil Type (1)</b>           | HF3 (HM3)             |
| <b>Connections ODS Ø [in.]</b> | -                     |
| <b>Connections ODS Ø [mm]</b>  | 10                    |
| <b>Kv [m<sup>3</sup>/h]</b>    | 1                     |
| <b>PS [bar]</b>                | 60                    |
| <b>TS [°C] min.</b>            | -40                   |
| <b>TS [°C] max.</b>            | +130                  |
| <b>Package Pcs.</b>            | 24                    |

## Notes

(1) : coils that can be fit on the valves