

Product Code

3137EW/5

Check Valve CO2

5/8" ODS

PS = 130 bar - 1740 PSI

G O G R E E N

R744 • NATURAL REFRIGERANT

Product use

Accessories for use with refrigerant R744.

Product details

Connections ODS Ø [in.] 5/8"

Connections ODS Ø [mm] 16

W Ø [mm] -

Kv [m³/h] 3,3

Differential pressure (2) [bar] 0,3

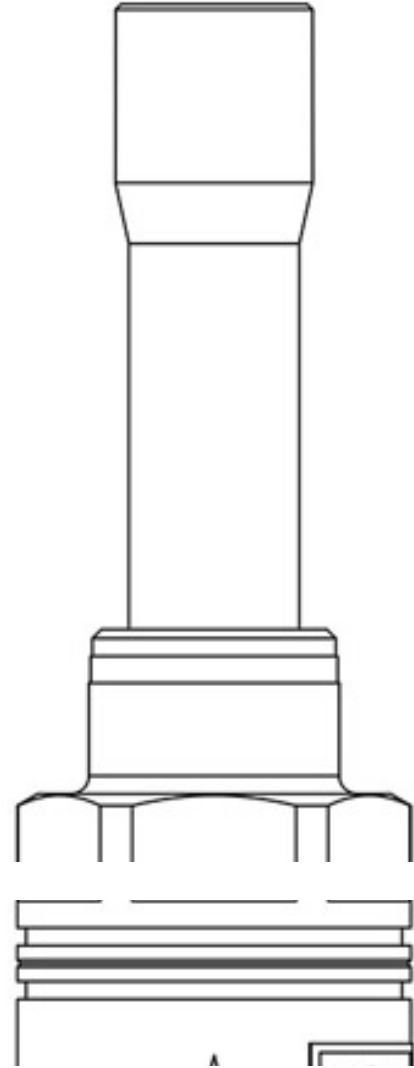
PS [bar] 120

MWP [psi] (1) 1740

TS [°C] min. -40

TS [°C] max. +150

Package pcs 16



Notes

(1): according to UL approval

(2): minimum pressure at which the valve is completely open.