

## Product Code

# 3137EW/2

Check Valve CO2

1/4"ODS

PS = 130 bar - 1740 PSI

**G O G R E E N**

R744 • NATURAL REFRIGERANT

### Product use

Accessories for use with refrigerant R744.

### Product details

Connections ODS Ø [in.] 1/4"

Connections ODS Ø [mm] -

W Ø [mm] -

Kv [m<sup>3</sup>/h] 0,5

Differential pressure (2) [bar] 0,3

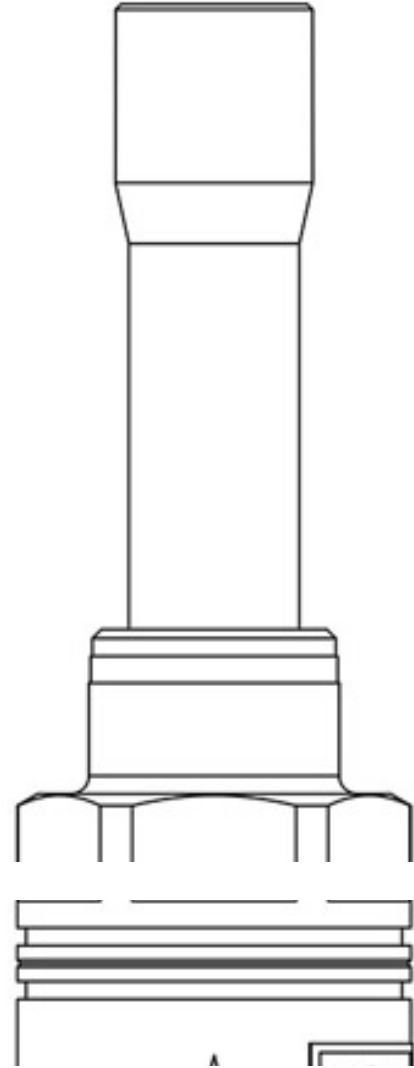
PS [bar] 130

MWP [psi] (1) 1740

TS [°C] min. -40

TS [°C] max. +150

Package pcs 25



### Notes

(1): according to UL approval

(2): minimum pressure at which the valve is completely open.