

Product Code

**3132EW/M18**

Check Valve CO2

18mm ODS

PS = 80 bar - 1160 PSI

**G O G R E E N**

R744 • NATURAL REFRIGERANT

Product use

Accessories for use with refrigerant R744.

Product details

Connections ODS Ø [in.] -

Connections ODS Ø [mm] 18

W Ø [mm] -

Kv [m<sup>3</sup>/h] 5

Differential pressure (2) [bar] 0,04

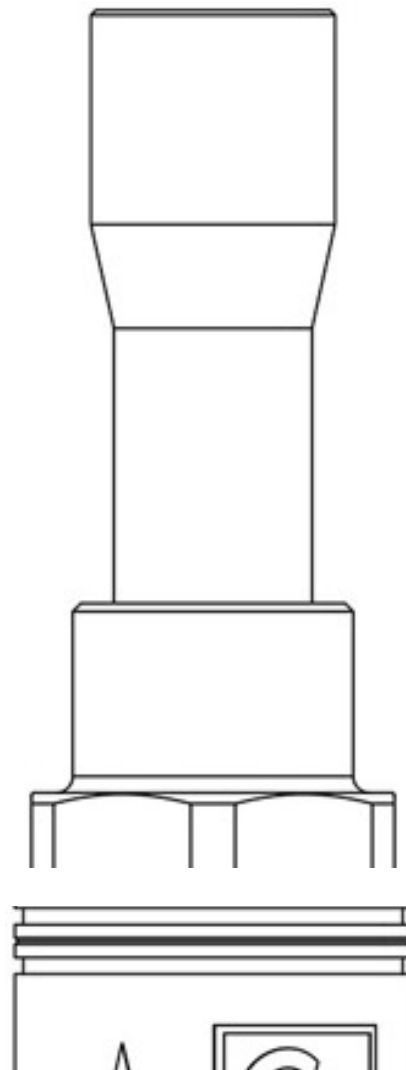
PS [bar] 80

MWP [psi] (1) 1160

TS [°C] min. -40

TS [°C] max. +150

Package pcs 21



Notes

(1): according to UL approval

(2): minimum pressure at which the valve is completely open.