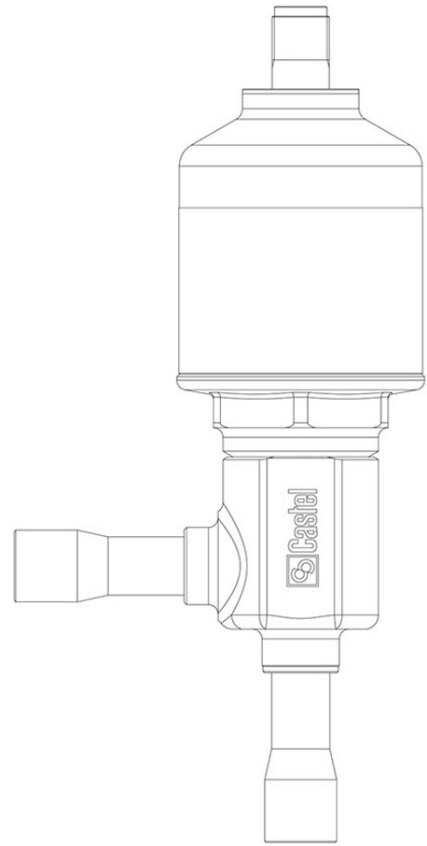


Product Code

27232/M12

Electronic Expansion Valve
12mm ODS
PS = 50 bar

P  **LYHEDRA**



Product use

Castel step-motor expansion valves series 271, 272, 273 regulate the flow of the liquid refrigerant into evaporators by modulating the valve shutter position in a calibrated orifice, allowing a wide capacity regulation range.

Accessories for use with the following ASHRAE 34:2019 refrigerants, Class A1, A2L, or A3:

HFC (R134A, R32, R404A, R407C, R410A, R507)

HFO (R1234YF, R1234ZE)

HFO + HFC (R448A, R449A, R450A, R452A, R452B, R454A, R454B, R454C, R455A, R513A, R515A, R515B)

HC (R290, R600, R600A, R1270)

Product details

Connections In Ø [in.] -

Connections In Ø [mm] -

Out Ø [in.] 12

Out Ø [mm] 12

PS [bar] 50

TS [°C] min. -40

TS [°C] max.	+60
Voltage [V]	9
Power [W]	5,4
Steps	415
Degree of protection	IP65
Package pcs.	5

Notes

Bipolar stepper motor with permanent magnets