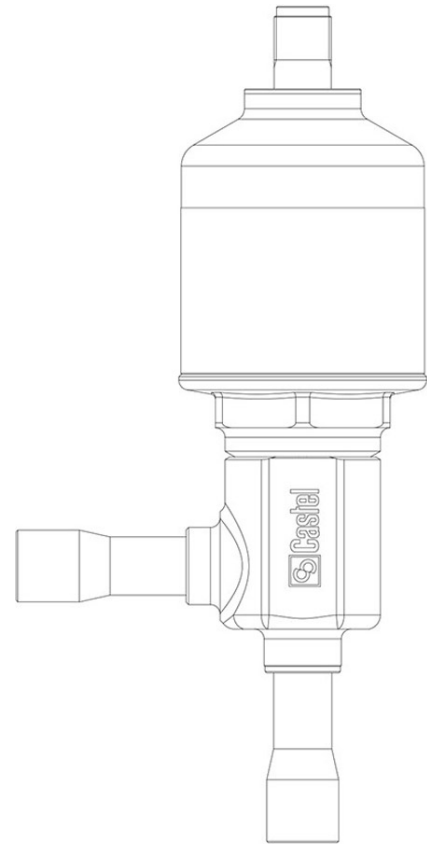


Product Code

27232/7

Electronic Expansion Valve
7/8" ODS
PS = 50 bar



Product use

Castel step-motor expansion valves series 271, 272, 273 regulate the flow of the liquid refrigerant into evaporators by modulating the valve shutter position in a calibrated orifice, allowing a wide capacity regulation range.

Accessories for use with the following ASHRAE 34:2019 refrigerants, Class A1, A2L, or A3:

HFC (R134A, R32, R404A, R407C, R410A, R507)

HFO (R1234YF, R1234ZE)

HFO + HFC (R448A, R449A, R450A, R452A, R452B, R454A, R454B, R454C, R455A, R513A, R515A, R515B)

HC (R290, R600, R600A, R1270)

Product details

Connections In Ø [in.] 7/8"

Connections In Ø [mm] 7/8"

Out Ø [in.] 22

Out Ø [mm] 22

PS [bar] 50

TS [°C] min. -40

| | |
|----------------------|------|
| TS [°C] max. | +60 |
| Voltage [V] | 9 |
| Power [W] | 5,4 |
| Steps | 415 |
| Degree of protection | IP65 |
| Package pcs. | 5 |

Notes

Bipolar stepper motor with permanent magnets