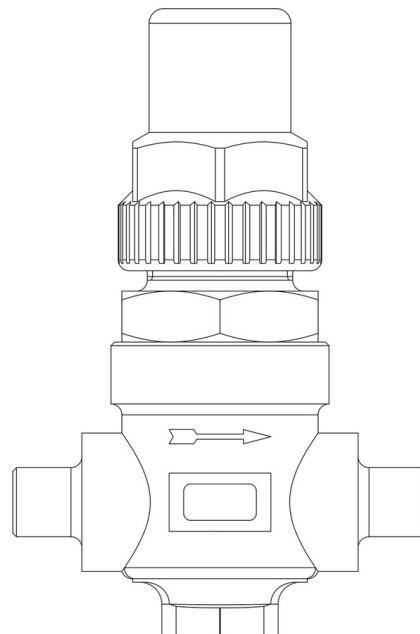


Product Code

**6420N/3S3**

Capped Valve  
3/8"Flare x 3/8"ODS  
PS = 50 bar



**P**  **LYHEDRA**

### Product use

Accessories for use with the following ASHRAE 34:2019 refrigerants, Class A1, A2L, or A3:  
 HFC (R134A, R32, R404A, R407C, R410A, R507)  
 HFO (R1234YF, R1234ZE)  
 HFO + HFC (R448A, R449A, R450A, R452A, R452B, R454A, R454B, R454C, R455A, R513A, R515A, R515B)  
 HC (R290, R600, R600A, R1270)

### Product details

Connections SAE Flare 3/8" - OUT

Connections ODS Ø [in.] 3/8" - IN

ODS Ø [mm] -

Kv [m<sup>3</sup>/h] 1

PS[bar] 50

TS[°C] min. -40

TS[°C] max. +130

Package pcs 45