

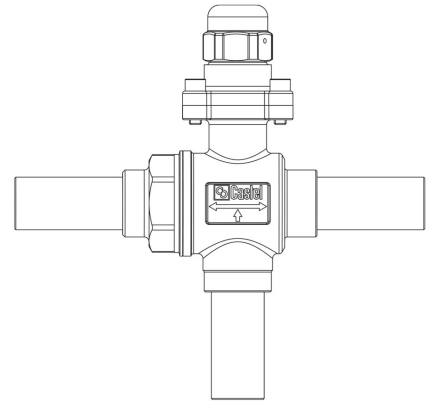
Product Code

**6698E/M28**

3-Ways Manual Ball Valve CO2

28mm W

PS = 140 bar



**G O G R E E N**

R744 • NATURAL REFRIGERANT

## Product use

Accessories for use with refrigerant R744.

## Product details

Connections W -

Connections W Ø [mm] 28

Kv [m<sup>3</sup>/h] 15,9

PS [bar] 140

MWP [psi] (1) (2)

TS [°C] min. -40

TS [°C] max. +150

Package pcs 1

## Notes

NB: proportional flow versions available

(1): according to UL approval

(2): not UL approved