

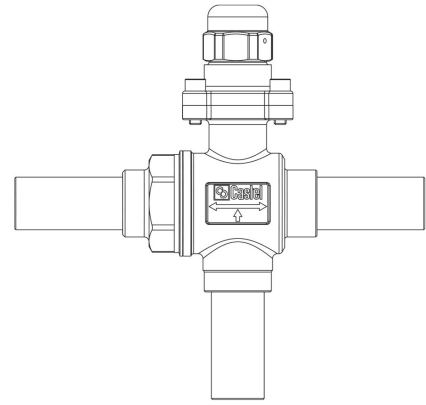
## Product Code

# 6698E/M10

3-Ways Manual Ball Valve CO2

10mm W

PS = 140 bar



## Product use

Accessories for use with refrigerant R744.

## Product details

Connections W -

Connections W Ø [mm] 10

Kv [m<sup>3</sup>/h] 4,6

PS [bar] 140

MWP [psi] (1) 2030

TS [°C] min. -40

TS [°C] max. +150

Package pcs 1

## Notes

NB: proportional flow versions available

(1): according to UL approval

(2): not UL approved