

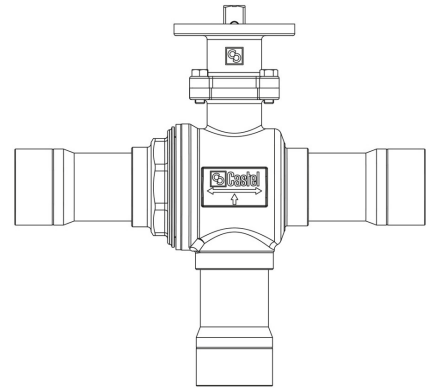
Product Code

6697EB/13

3-Ways Valves to be motorized CO2

1.5/8" ODS

PS = 130 bar



Product use

Accessories for use with refrigerant R744.

Product details

Part number (1) 6697EB/13

Part number (1)

Connections ODS Ø [in.] 1.5/8"

Connections ODS Ø [mm] -

W Ø [mm] -

Ball port Ø [mm] 37

Kv [m³/h] 38,5

PS [bar] 130

MWP [psi] (2) (3)

TS [°C] min. -40

TS [°C] max. +150

Package pcs 1

Notes

NB: proportional flow versions available

(1): with adapter for actuators with ISO mounting flange

(2): according to UL approval

(3): not UL approved