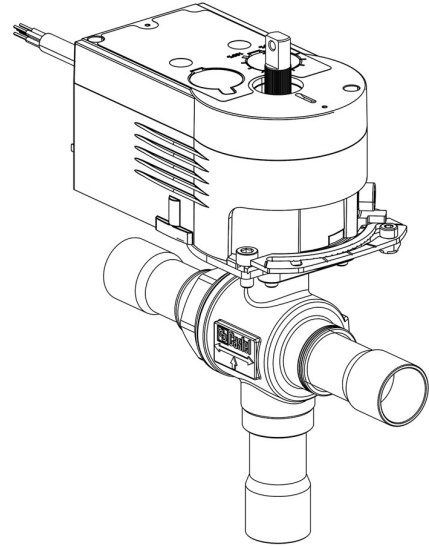


## Product Code

# 6690M/3A2

3-Ways Motorized Ball Valve  
3/8" ODS 24V  
PS = 45 bar



### Product use

Accessories for use with the following ASHRAE 34:2019 refrigerants, Class A1:

HCFC (R22)

HFC (R134a, R404A, R407C, R410A, R507)

HFO (R1234ze)

HFO + HFC (R448A, R449A, R450A, R452A, R513A, R515A, R515B)

### Product details

Part number (1)	6690M/3A2
Part number (1)	NEW
Connections ODS Ø [in.]	3/8"
Connections ODS Ø [mm]	-
W Ø [mm]	-
P/N Servomotor	9700/RA2
Torque [Nm]	10
Ball port Ø [mm]	13,5
Kv[m <sup>3</sup> /h]	4,6
PS[bar]	45
TS[°C] min.	-40
TS[°C] max.	+150
Package pcs	1

## Notes

NB: proportional flow versions available  
(1): with servomotor and mounting plate