

Product Code

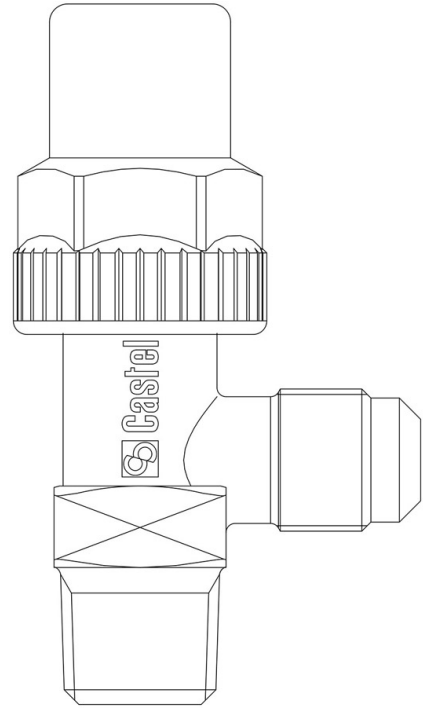
**6110/X15**

Receiver Valve

1/4"Flare femalex1/4"Flare

PS = 45 bar

CLASSIC



### Product use

Accessories for use with the following ASHRAE 34:2019 refrigerants, Class A1:

HCFC (R22)

HFC (R134a, R404A, R407C, R410A, R507)

HFO (R1234ze)

HFO + HFC (R448A, R449A, R450A, R452A, R513A, R515A, R515B)

### Product details

Access fitting SAE Flare 1/4" f

Connections SAE Flare 1/4"

Connections NPT -

Kv [m<sup>3</sup>/h] 0,44

PS [bar] 45

TS [°C] min. -40

TS [°C] max. +130

Package pcs 90