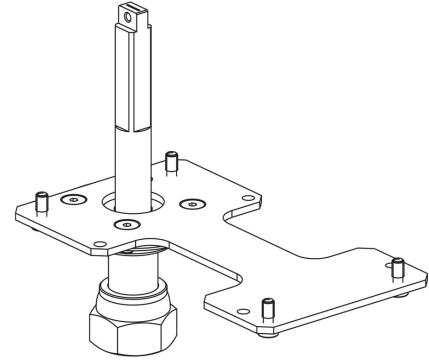


# Product Code

# 9901/X75

Actuator Adapter



## Product use

Flanged adapters are made by Castel to couple the actuators to the 2-ways ball valves or manual 3-ways ball valves later allowing the conversion from a manual to a motorized valve.

## Product details

**Package Pcs.** 1

## Notes

see the couplings indicated in the COUPLING SCHEME table