

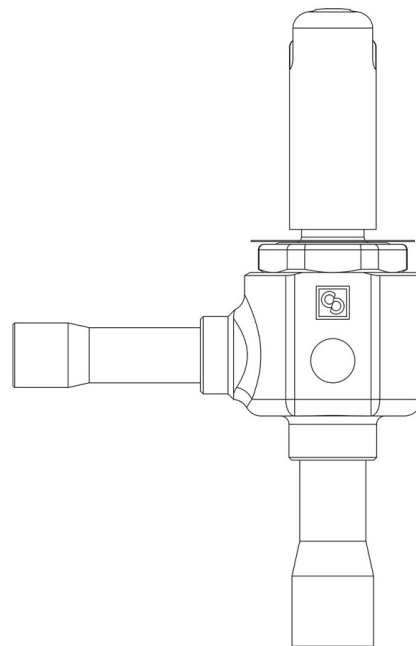
## Product Code

# 2028N/3S00

PWM Expansion Valve

3/8"x1/2" ODS Seat 00

PS = 50 bar



## Product use

Accessories for use with the following ASHRAE 34:2019 refrigerants, Class A1, A2L, or A3:

HFC (R134A, R32, R404A, R407C, R410A, R507)

HFO (R1234YF, R1234ZE)

HFO + HFC (R448A, R449A, R450A, R452A, R452B, R454A,

R454B, R454C, R455A, R513A, R515A, R515B)

HC (R290, R600, R600A, R1270)

These valves are only sold in the model without the coil (S suffix), with 9 nozzles assembled for an increasing output from 1 to 22 kW with R410A.

## Product details

Orifice type 00

Connections In Ø [in.] 3/8"

Connections In Ø [mm] -

Out Ø [in.] 1/2"

Out Ø [mm] -

Kv [m<sup>3</sup>/h] 0,0027

PS [bar] 50

TS [°C] min. -40

TS [°C] max. +100

Package pcs. 17

## Notes

for rated capacities see table of the orifice assemblies