

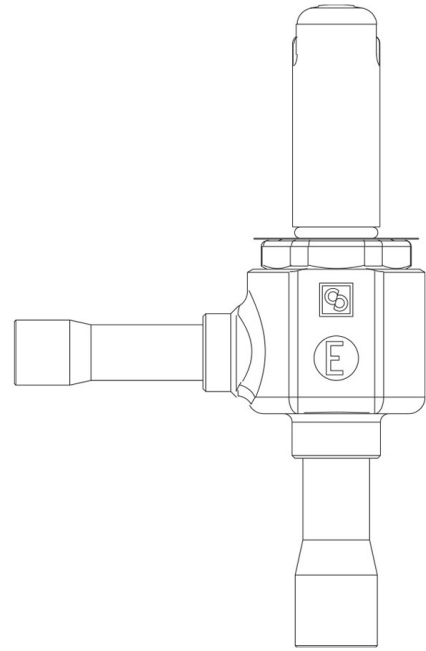
Product Code

2028E/3S00

PWM Expansion Valve CO2

3/8"x1/2"ODS Orificio 00

PS = 90 bar



Product use

Accessories for use with refrigerant R744.

These valves are only sold in the model without the coil (S suffix), with 9 nozzles assembled for an increasing output from 2 to 43 kW.

Product details

Orifice type 00

Connections In Ø [in.] 3/8"

Connections In Ø [mm] -

Out 1/2"

Out Ø [mm] -

Kv [m³/h] 0,0027

PS [bar] 90

MWP [psi] (1) 1305

TS [°C] min. -50

TS [°C] max. +100

Package pcs. 17

Notes

(1): according to UL approval