

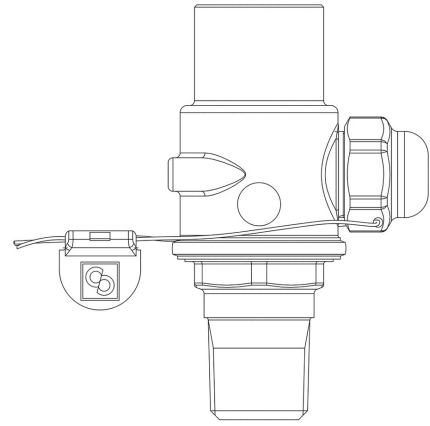
Product Code

**3064E/22**

Ball Shut Off Valve CO2

1/4"NPT

PS = 150 bar



**G O G R E E N**

R744 • NATURAL REFRIGERANT

## Product use

The shut-off valves series 3064, installed between the equipment to be protected and the safety valve, allow the valve to be removed for periodic inspection or replacement without blowing off all the refrigerant from a section of the system.

Accessories for use with refrigerant R744.

## Product details

Connections NPT 1/4"

Kv [m<sup>3</sup>/h] 2,5

PS [bar] 150

TS[°C] min. -40

TS[°C] max. +150

Package pcs 20