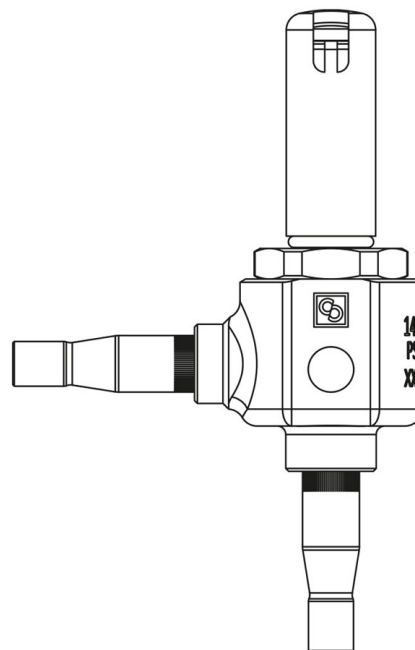


## Product Code

# 1417E/2S05

Solenoid Valve CO2  
1/4" ODS Seat 05 w/o Coil  
PS = 130 bar



## Product use

Accessories for use with refrigerant R744.  
These valves are exclusively sold in the model without coil (S suffix).

## Product details

**Operating principle** Direct acting

**Coil Type (1)** HF3

**Connections ODS Ø [in.]** 1/4"

**Connections ODS Ø [mm]** -

**Kv [m<sup>3</sup>/h]** 0,065

**PS [bar]** 130

**MWP [psi] (4)** 1885

**TS [°C] min.** -40

**TS [°C] max.** +150

**Package Pcs.** 17

## Notes

- (1) : coils that can be fit on the valves
- (2) : for use on the oil line TS = -10 /+70 °C

(3) : for use on the oil line please contact CASTEL

(4): UL approval ongoing