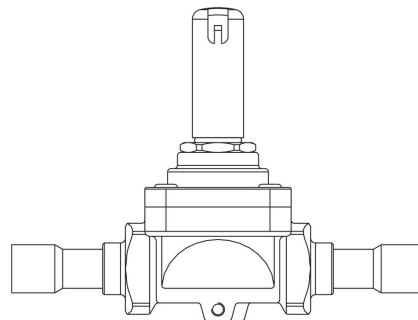


Product Code

**1048EL/M12S**

Solenoid Valve CO2  
12mm ODS w/o Coil  
PS = 60 bar



### Product use

Accessories for use with refrigerant R744.  
These valves are exclusively sold in the model without coil (S suffix).

### Product details

**Operating principle** Piston pilot operated

**Coil Type (1)** HF3 (HM3)

**Connections ODS Ø [in.]** -

**Connections ODS Ø [mm]** 12

**Kv [m<sup>3</sup>/h]** 2,4

**PS [bar]** 60

**TS [°C] min.** -40

**TS [°C] max.** +130

**Package Pcs.** 14

### Notes

(1) : coils that can be fit on the valves