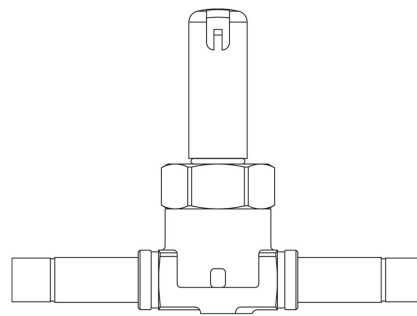


Product Code

**1038EL/M10S**

Solenoid Valve CO2  
10mm ODS w/o Coil  
PS = 60 bar



## Product use

Accessories for use with refrigerant R744.  
These valves are exclusively sold in the model without coil (S suffix).

## Product details

**Operating principle** Piston pilot operated

**Coil Type (1)** HF3 (HM3)

**Connections ODS Ø [in.]** -

**Connections ODS Ø [mm]** 10

**Kv [m<sup>3</sup>/h]** 1

**PS [bar]** 60

**TS [°C] min.** -40

**TS [°C] max.** +130

**Package Pcs.** 24

## Notes

(1) : coils that can be fit on the valves