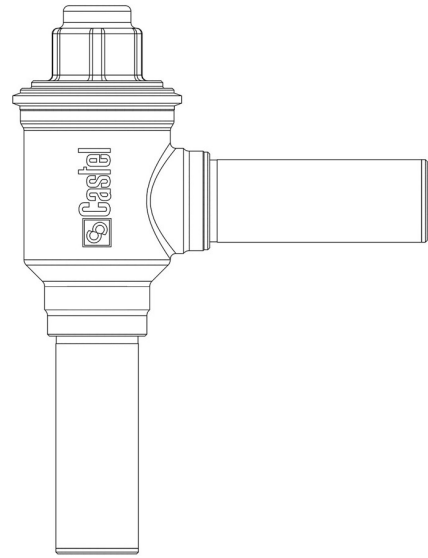


Product Code

3188EW/M35

Right-angle check valve CO2
35mm W
PS = 140 bar - 2030 PSI



Product use

Accessories for use with refrigerant R744.

Product details

Connections ODS Ø [in.] -

Connections ODS Ø [mm] -

W Ø [mm] 35

Kv [m³/h] 29

Differential pressure (2) [bar] 0,3

PS [bar] 140

MWP [psi] (1) 2030

TS [°C] min. -40

TS [°C] max. +150

Package pcs 1

Notes

(1): according to UL approval

(2): minimum pressure at which the valve is completely open